

item number / EOL.CE.DLS20-10

smart LED downlight, **RGBCW**



Application

residential or commercial indoor space

Design Specifications

10W LED recessed downlight, anti- glare flat frame fully dimmable led driver, tunable RGB spectrum up to 11 million colours plus 3000k to 6500k chips Control via app and voice control (Alexa, google home)

Size (108*68). Hole size 90mm, input AC 220-240V. PF 0.9. beam angle 120 . CRI 80.

Dimmable . Temp -20C to 65C. Flicker free . Lumen 800-950LM. RGBCW

Flex and plug

Performance

Dimmable - **YES**

Dimmer Type - **mobile APP and voice control**

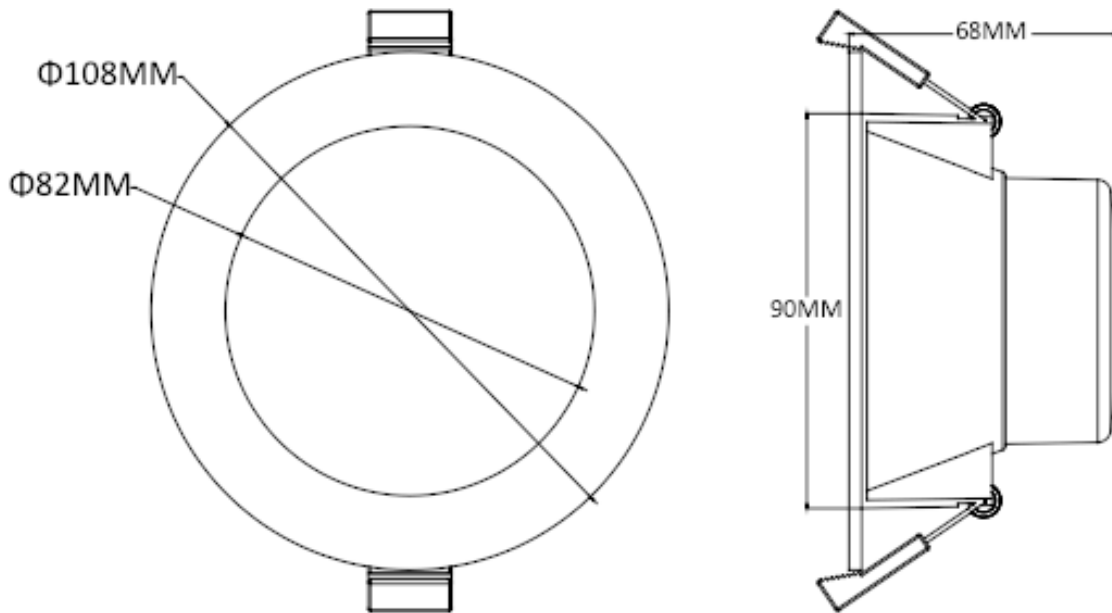


Technical Specification

Model No.	Description	Input Voltage (V/AC)	Power (W)	Lumens (lm)	CCT (K)	Beam Angle
EOL.CE.DLS20-10	10wLed downlight, flicker free	220-240	10	950	RGBCW	120
CRI	COLOUR BODY		box Dimmenation			
80+	White colour and sky blue		115 * 115 * 75mm			

Dimensions

▶ | **Trim Colour:** White/



▶ | **Size & Power & Lumen & Size & Cutout**

(Inch)			(AxBmm)	(mm)
3"	10W	800-950lm	Φ108×68	Φ90-95

