

item number / EOL.CE.DLC20-10

Dimmable IP44 LED downlight, 3 CCT

Application

residential or commercial indoor space

Design Specifications

10W LED recessed downlight, anti- glare flat frame
fully dimmable led driver, 3CCT changeable switch

Size (108*68). Hole size 90mm, input AC 220-240V. PF 0.9. beam angle 120 . CRI 80.
Dimmable . Temp -20C to 65C. Flicker free . Lumen 800-950LM. CCT 3000k-4000k-6000k

Flex and plug

Performance

Dimmable - YES

Dimmer Type - TRAILING EDGE

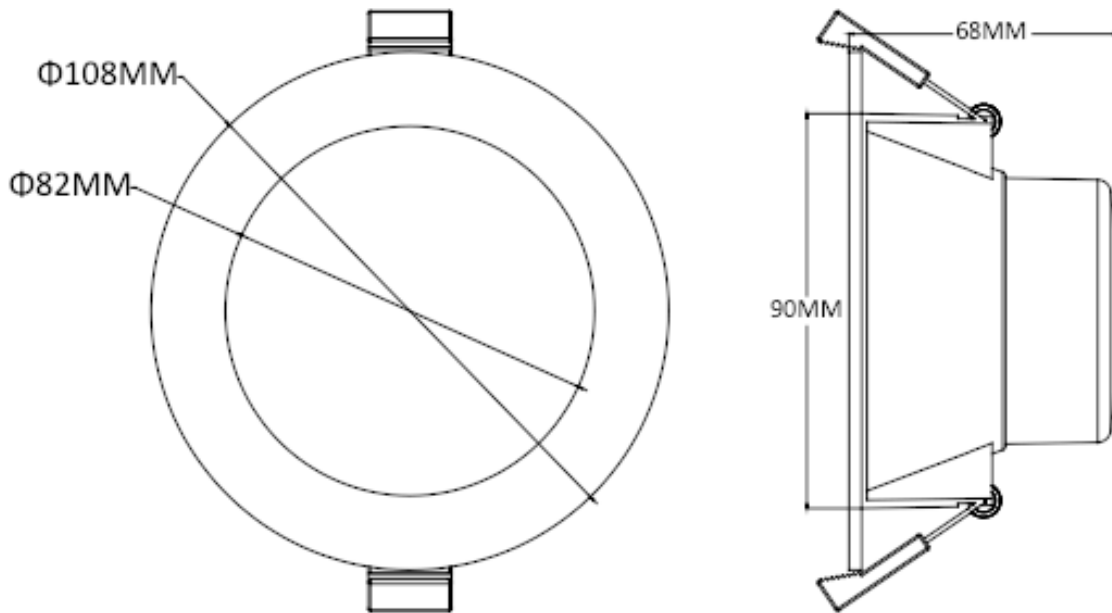


Technical Specification

Model No.	Description	Input Voltage (V/AC)	Power (W)	Lumens (lm)	CCT (K)	Beam Angle
EOL.CE.DLC20-10	10wLed downlight, flicker free	220-240	10	950	tri-colour	120
CRI	COLOUR BODY		box Dimmenation			
80+	White colour and sky blue		115 * 115 * 75mm			

Dimensions

▶ | **Trim Colour:** White/



▶ | **Size & Power & Lumen & Size & Cutout**

(Inch)			(AxBmm)	(mm)
3"	10W	800-950lm	Φ108×68	Φ90-95

